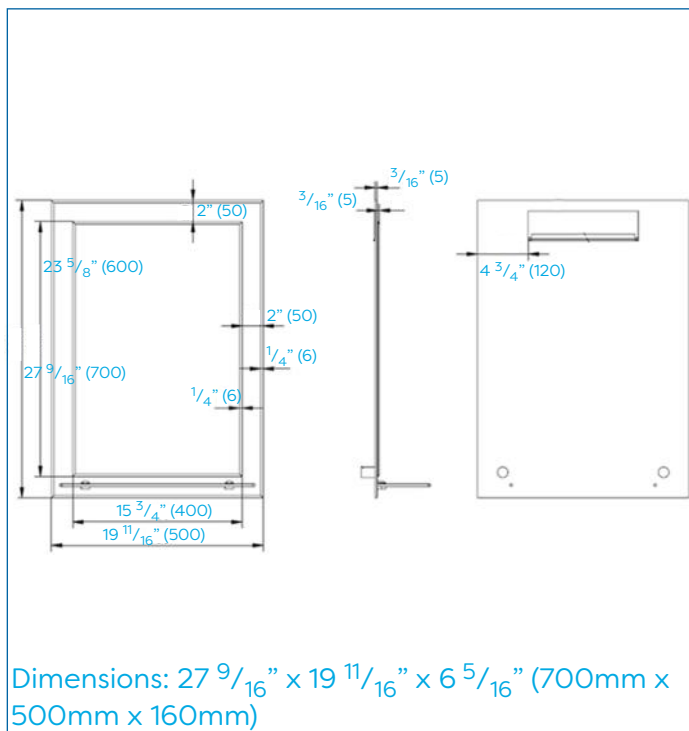


MM700300

DEVOKE RECTANGLE DOUBLE LAYER MIRROR WITH SHELVES

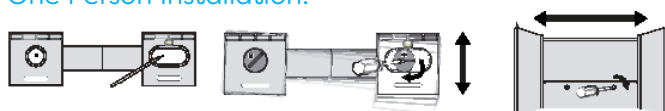


GUARANTEE

Consumer Statutory Rights Apply

UNIQUE HANGING SYSTEM

Easy Installation Bracket.
Fully Adjustable.
One Person Installation.



Tel: +44 (0) 1264 365881
Fax: +44 (0) 1264 356437
Email: info@croydex.co.uk
Web: www.croydex.com

Printed material, designs and packaging are protected by copyright and design right.

ILLUSTRATED

MM700300 DEVOKE RECTANGLE DOUBLE LAYER MIRROR WITH SHELVES

CONFIGURATIONS

MATERIAL

5mm safety backed mirror glass.
Shelf: Clear Toughened Glass

COLOURS

Silver
Chrome plated shelf brackets

WEIGHT

20.9lb (9.5kg)

PACKAGING

N/A

FREQUENTLY USED APPLICATIONS

Residential
Hotels

FEATURES

Easy to fit unique hanging system ensures quick and simple installation.
Vecro spacing bracket ensure it is securely held in position on the hand'N'Lock bracket.
All fixings supplied.

CARE AND MAINTENANCE

Clean surfaces with a damp cloth and wipe dry using a soft cloth.
Do not use chemical or abrasive cleaners as these may damage the surface finish.